

Video tutorial



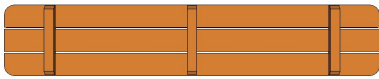
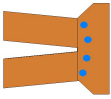

ESP



CAT



ENG

A		Asiento/Seient/Seat (qt: 1).
B		Patas/Potes/ Legs (qt: 2).
X		Tornillos/Tornillos/ Screws 4x70 (qt: 12)

